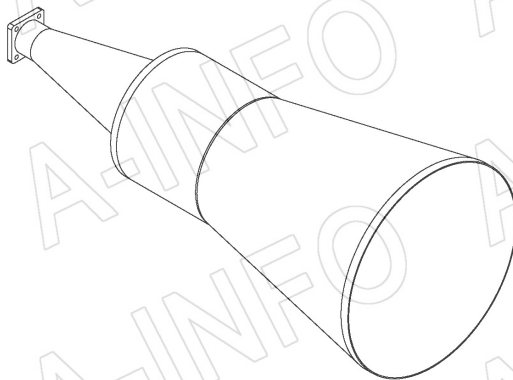
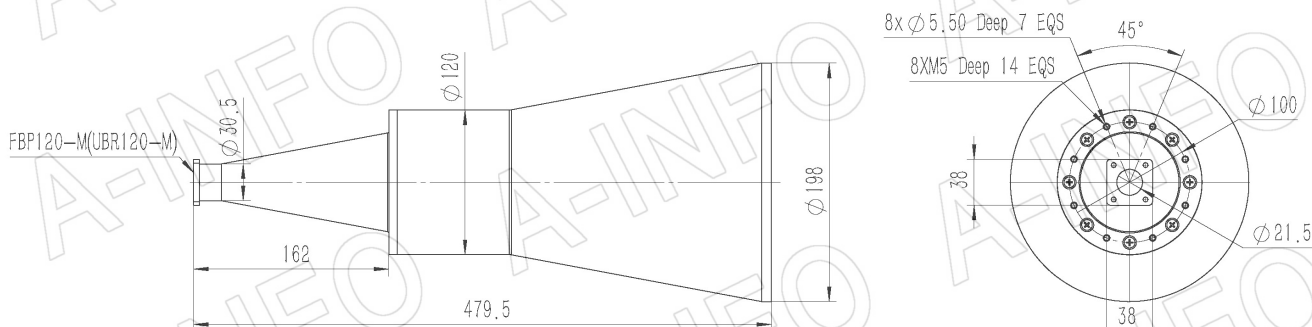


Technical Specification

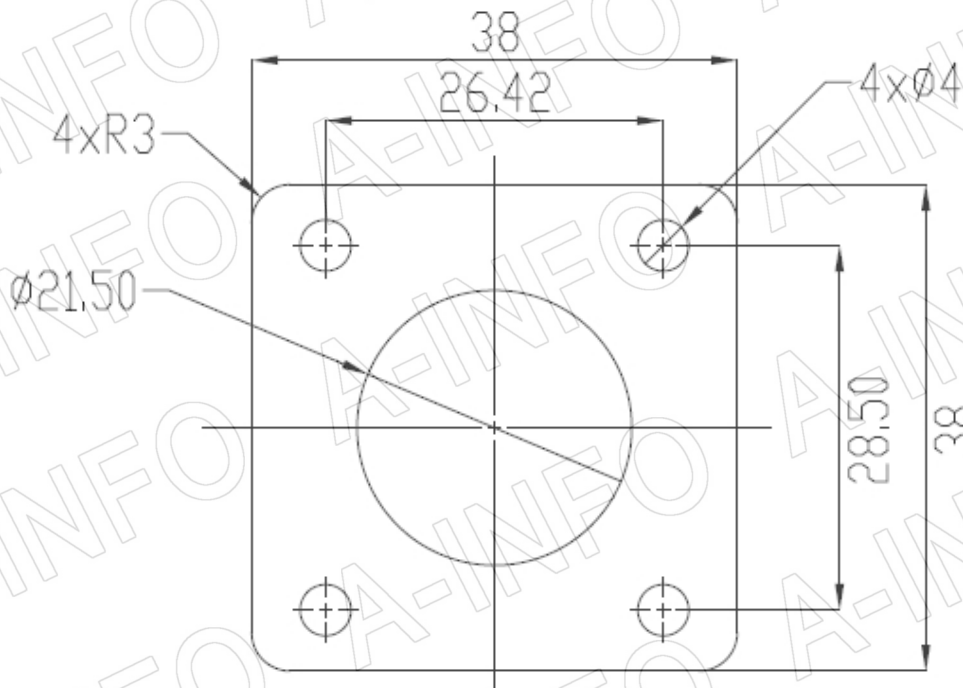
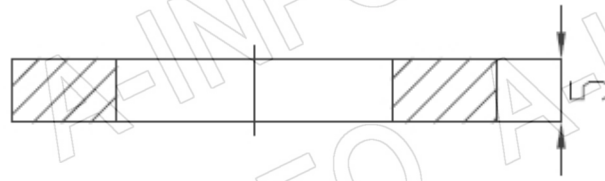
| | |
|--------------------------|---------------------------|
| Frequency Range(GHz) | 10.0 - 15.0 |
| Circular WG Size | 21.5mm / 0.846" |
| Gain(dBi) | 25 Typ. |
| Polarization | Linear and Circular |
| 3dB Beamwidth(deg) | E Plane: 8 Typ. |
| | H Plane: 9 Typ. |
| Cross Pol. Isolation(dB) | 40 Typ. |
| VSWR | 1.20:1 Max. |
| Output | FBP120-M(UBR120-M) |
| Material | Al |
| Finish | Sliver Plated, Gray Paint |
| Size(mm) | 479.5 x 198 x 198 |
| Net Weight(Kg) | 2.04 Around |



Outline Drawing (Size: mm)



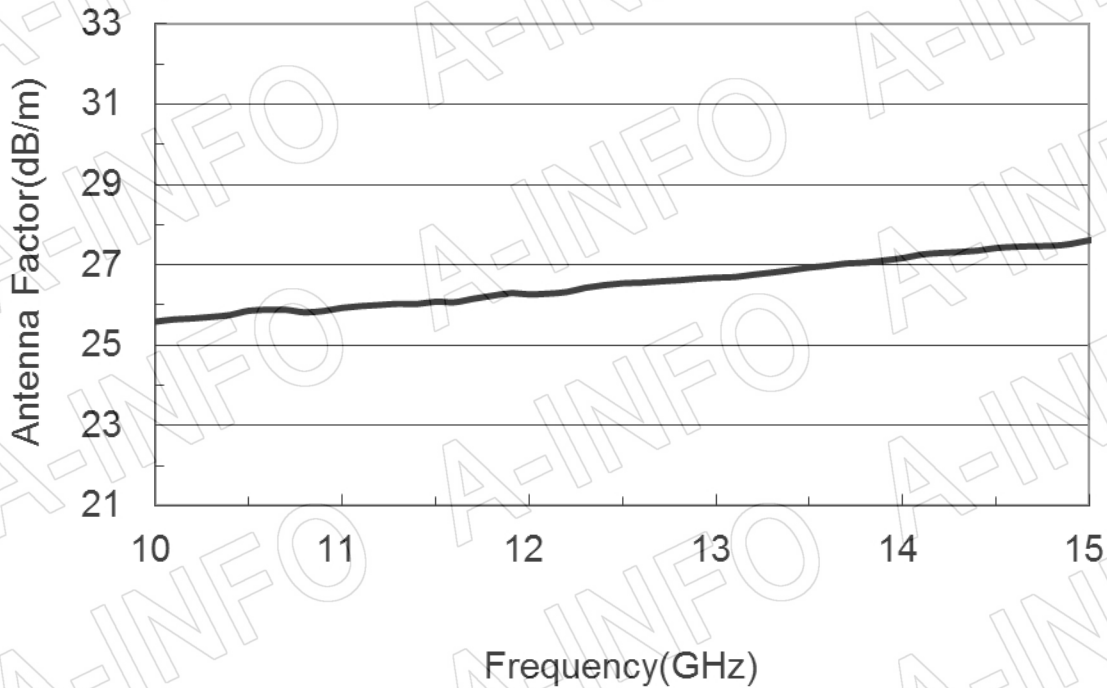
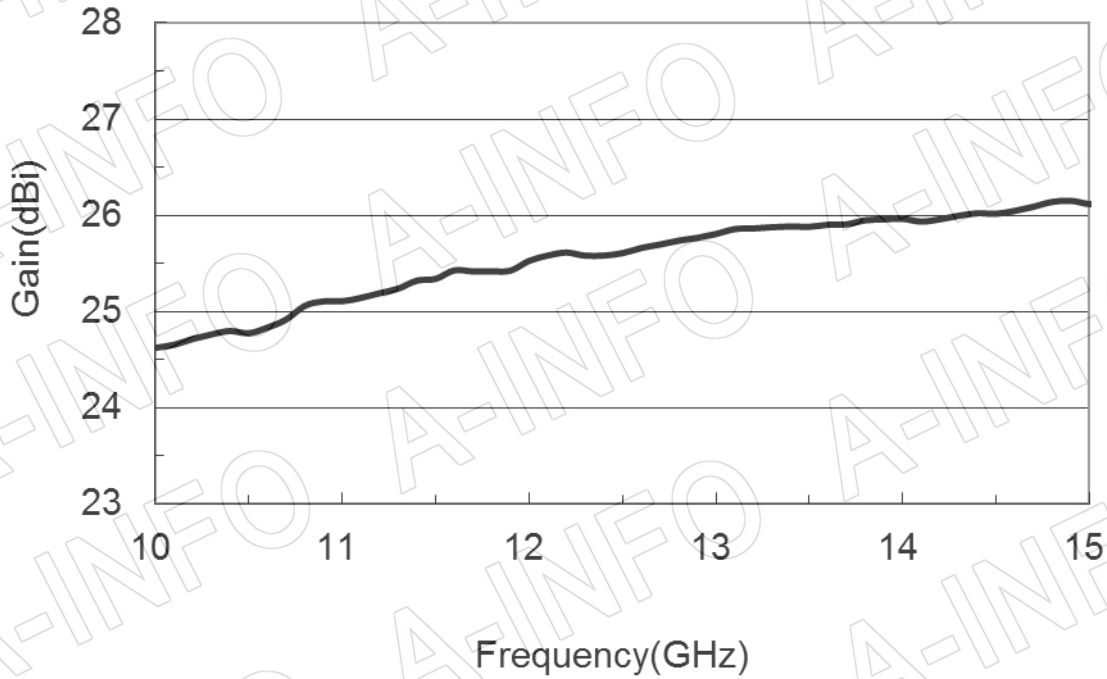
Flange Drawing (Size: mm)



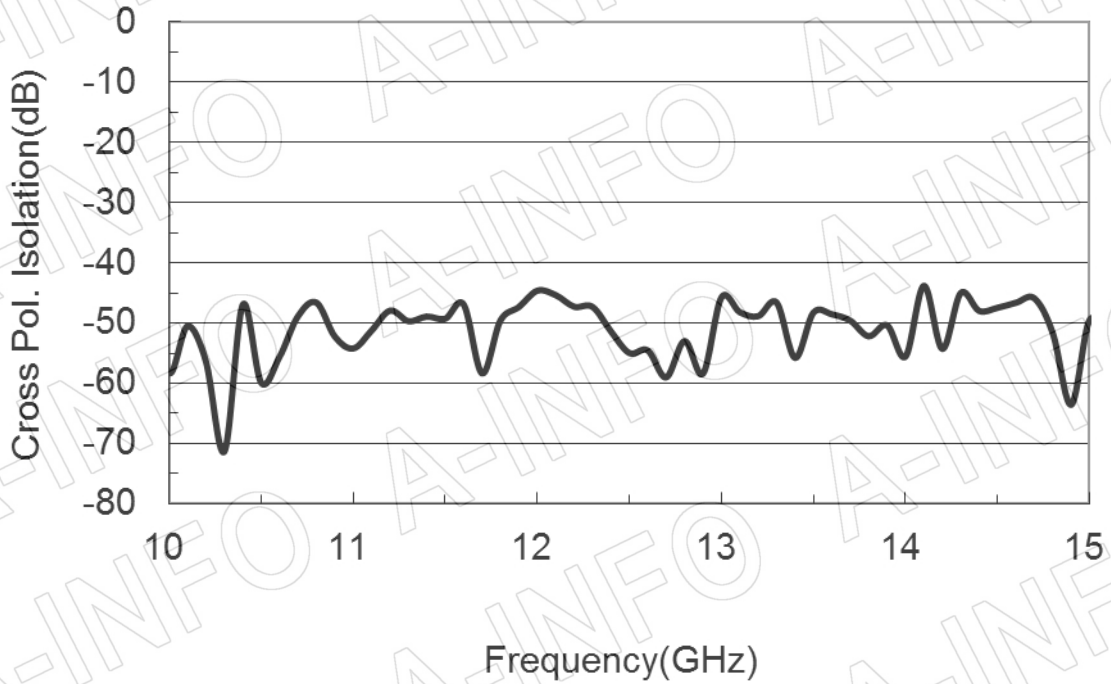
FBP120-M

Test Results (Including circular to rectangular transition)

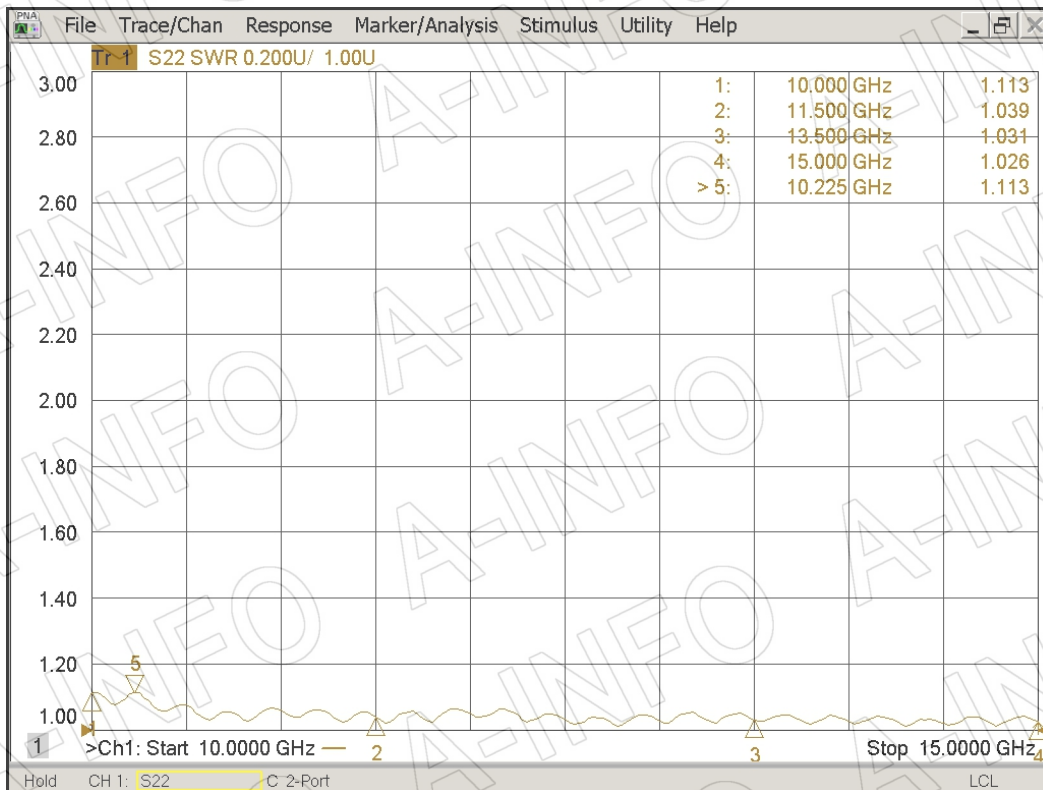
1. Gain & Antenna Factor



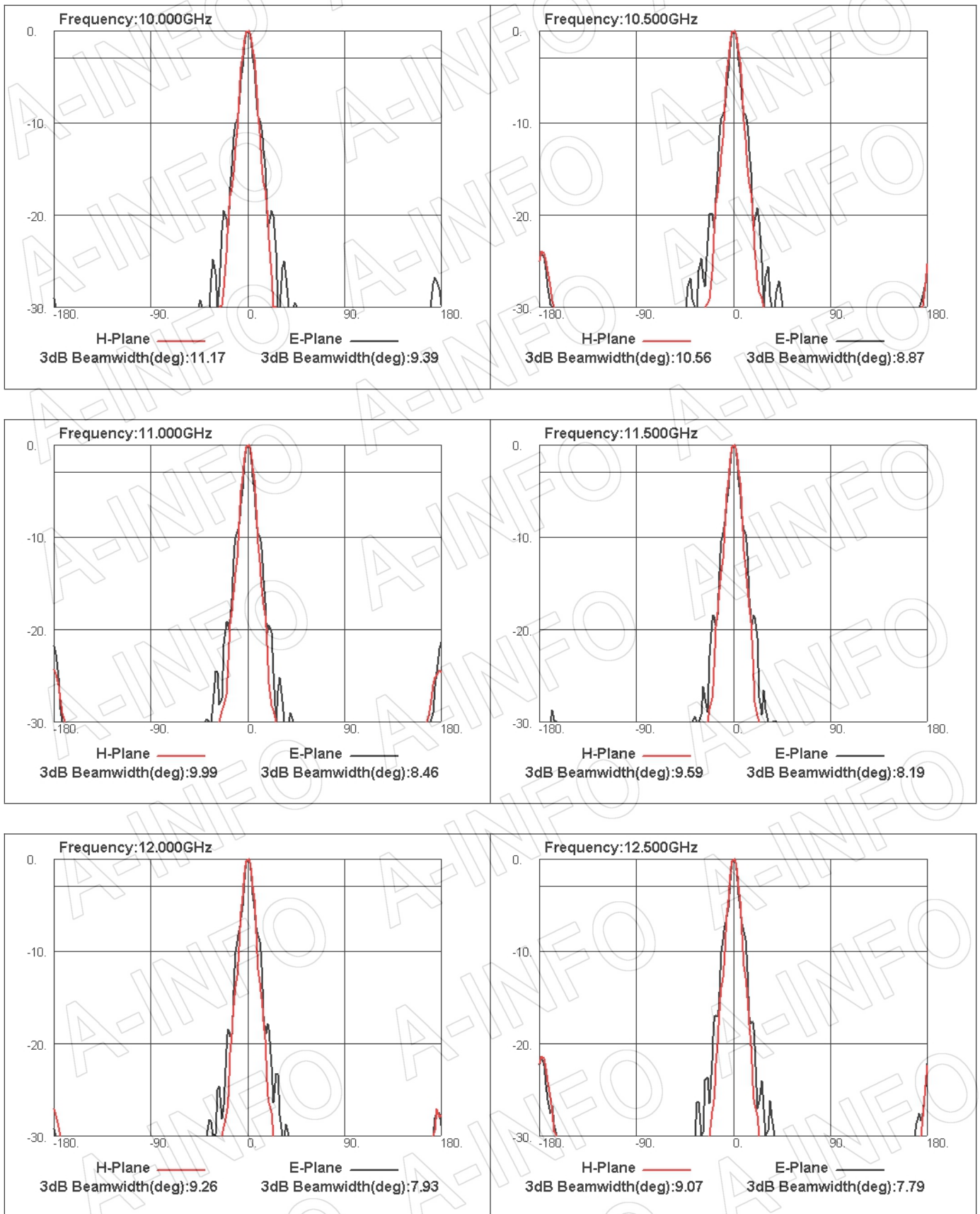
2. Cross Polarization Isolation



3. VSWR



4. Pattern



AINFO Inc.

Page 5 of 6

China(Beijing): Tel: (+86) 10-6266-7326,
China(Chengdu): Tel: (+86) 28-8519-2786,
USA : Tel: (+1) 949-639-9688,

(+86) 10-6266-7327
(+86) 28-8519-3044
(+1) 949-639-9608

Fax: (+86) 10-6266-7379
Fax: (+86) 28-8519-3068
Fax: (+1) 949-639-9670

Website: www.ainfoinc.com
Email: sales@ainfoinc.com

